

**ESPECIFICACIONES TECNICAS**

- Cierre mecánico de fuelle de goma
- Muelle simple
- Sentido de rotación independiente
- No equilibrado

**LIMITES OPERATIVOS**

Valores variables dependiendo de:  $\varnothing$  eje, presión, velocidad, temperatura y producto.

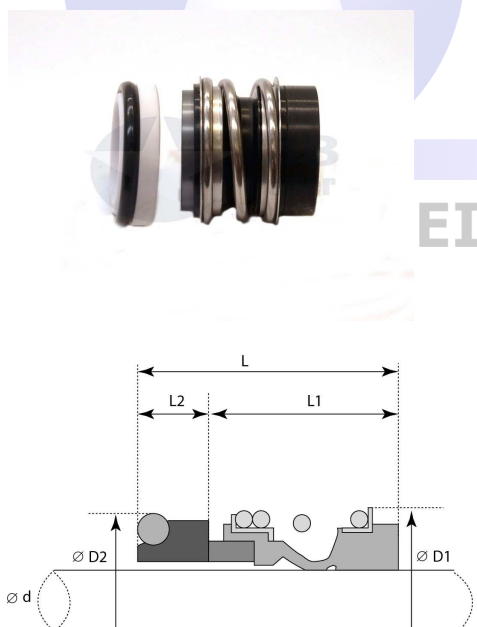
$p \leq 10 \text{ kgs/cm}^2$

$v \leq 10 \text{ m/s}$

$t \leq -15^\circ\text{c} + 200^\circ\text{c}$

**MATERIALES**

- Anillo móvil: carbón, carburo silicio, carburo tungsteno
- Anillo fijo: cerámica, carbón, carburo silicio, carburo tungsteno
- Elastómero: nbr, epdm, viton
- Partes metálicas: acero inoxidable



MODELO	$\varnothing$ eje	D1	D2	L1	L2	L
MB-12	10	24,0	21	25,9	6,6	32,5
MB-12	12	24,0	23	25,9	6,6	32,5
MB-12	14	28,5	25	28,4	6,6	35,0
MB-12	15	28,5	27	28,4	6,6	35,0
MB-12	16	28,5	27	28,4	6,6	35,0
MB-12	18	32,0	33	30,0	7,5	37,5
MB-12	19	36,0	35	30,0	7,5	37,5
MB-12	20	36,0	35	30,0	7,5	37,5
MB-12	22	36,0	37	30,0	7,5	37,5
MB-12	24	42,0	39	32,5	7,5	40,0
MB-12	25	42,5	40	32,5	7,5	40,0
MB-12	28	47,5	43	35,0	7,5	42,5
MB-12	30	47,5	45	35,0	7,5	42,5
MB-12	32	52,0	48	35,0	7,5	42,5
MB-12	33	52,0	48	35,0	7,5	42,5
MB-12	35	55,0	50	35,0	7,5	42,5
MB-12	38	58,0	56	36,0	9,0	45,0
MB-12	40	61,0	58	36,0	9,0	45,0
MB-12	43	65,0	61	36,0	9,0	45,0
MB-12	45	66,0	63	36,0	9,0	45,0
MB-12	48	69,0	66	36,0	9,0	45,0
MB-12	50	72,0	70	38,0	9,5	47,5
MB-12	53	76,0	73	36,5	11,0	47,5
MB-12	55	79,0	75	36,5	11,0	47,5
MB-12	58	82,5	78	41,5	11,0	52,5
MB-12	60	85,5	80	41,5	11,0	52,5
MB-12	65	91,0	85	41,5	11,0	52,5
MB-12	68	94,0	90	41,2	11,3	52,5
MB-12	70	97,0	92	48,7	11,3	60,0
MB-12	75	102,0	97	48,7	11,3	60,0
MB-12	80	109,0	105	48,0	12,0	60,0
MB-12	85	117,0	110	46,0	14,0	60,0
MB-12	90	126,0	115	51,0	14,0	65,0
MB-12	95	133,0	120	51,0	14,0	65,0
MB-12	100	133,0	125	51,0	14,0	65,0

**MB Estanqueidad y Aislamiento**

Av. Antoni Gaudí 72 – NAVE 4. Pol. Ind. Rubí Sur  
08191 RUBÍ (Barcelona) – Apartado nº384  
Tel. 93 588 08 28 – Fax. 93 588 00 95  
mb@mb-estanqueidad.com  
www.mb-estanqueidad.com